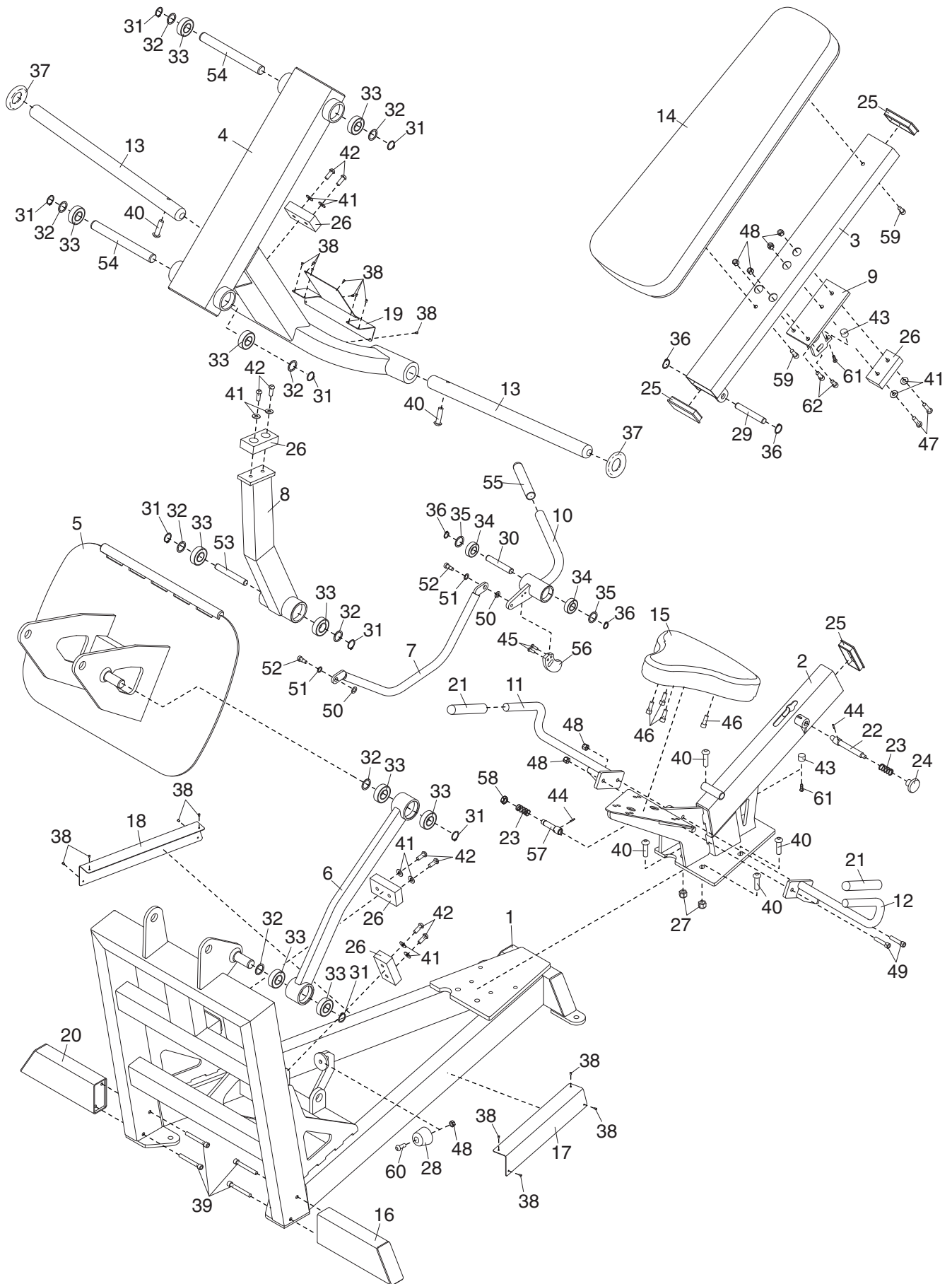


EXPLODED DRAWING—Model No. GZFW2185.0

R1105A



Bubble #	OEM Number	Description
2	GZ5500	SEAT FRAME
3	GZ5492	BACKREST FRAME
4	GZ5501	FOOT PLATE FRAME
5	GZ5496	FOOT PLATE
6	GZ5497	FOOT PLATE ARM
7	GZ5495	SUPPORT ARM
8	GZ5504	FRAME SUPPORT
10	GZ5494	ADJUSTMENT ARM
16	GZ5499	LEFT BASE LEG
17	GZ3206-01	LEFT COVER
18	GZ3206-02	RIGHT COVER
20	GZ5498	RIGHT BASE LEG
21	GZ1086-07	BLACK HANDLE GRIP
22	GZ1709	PIN
23	285751	SPRING
24	GZ1503	KNOB
27	GZ1109	1/2" NYLON LOCKNUT
28	GZ1111	BUMPER
30	GZ1705	5/8" X 4 1/2" AXLE
31	GZ1018-07	1" RETAINER RING
32	GZ1052	1" NYLON WASHER
33	GZ1011-01	1" BEARING
36	GZ1018-09	5/8" RETAINER RING
37	GZ1191	BUMPER RING
38	GZ1021-01	RIVET
39	GZ1014-02	3/8" X 3" SCREW
40	GZ1012-18	1/2" X 2" SCREW
41	GZ1074	3/8" WASHER
43	GZ1584	SMALL BUMPER
44	GZ1404	5/8" ROLL PIN
45	GZ1012-11	1/4" X 3/4" SCREW
46	GZ1014-01	3/8" X 1" NON-PATCH SCREW
47	GZ1030	3/8" X 1 1/2" BOLT
48	GZ1007	3/8" NYLON LOCKNUT
49	GZ1013-02	3/8" X 1 3/4" BOLT
50	GZ1708	3/8" NYLON WASHER
52	GZ1707	3/8" X 3/8" SHOULDER BOLT
53	GZ1584	6 1/2" AXLE
54	GZ1704	9 1/4" AXLE
55	GZ1032-01	RED HANDLE GRIP
58	GZ1104	1/2" HEX NUT
60	GZ1012-12	3/8" X 1 1/4" BOLT

61	GZ1012-20	1/4" X 1/2" BUTTON SCREW
62	GZ1013-03	3/8" X 1" SCREW
#	220795	BRAND DECALS
#	GZ7285	INSTRUCTION DECAL
#	GZ7288	USER'S MANUAL